

# **Design book and price list for OMUV level sensors**

**2018.02.01**



Web: [www.omuv.hu](http://www.omuv.hu)

Email: [info@omuv.hu](mailto:info@omuv.hu)

Phone: **+36-23-511-752**

2045 Törökbálint, Munkácsy M. u. 48.  
HUNGARY

Ver. 2018.02.01

# OMUV 05-1 floater level sensor

**Basic price: 431 EUR**

Basic price including:  
 Non-Ex design  
 DN100 PN40 carbon steel flange  
 Ø92\*155mm floater  
 1pc sensor inside  
 1m probe tube length

051 | 5 — | 28 — | 17 — | 01 — | 1000

Length, over 1 meter (**30EUR/m**) \* mm

\* For every additional meter

Additional sensors mono/bistable reed ( <b>15EUR/pc</b> )	quantity
4-20mA output 5mm ( <b>+90EUR + 325EUR/m</b> )	60E
4-20mA output 10mm ( <b>+90EUR + 175EUR/m</b> )	61E
4-20mA output 25mm ( <b>+90EUR + 110EUR/m</b> )	62E

\*\* Mono and bistable sensors mixing possible  
 Bistable reeds can be NO (default) or NC, and the types can be mixed

Floater Ø92\*155mm | 17

	PN 6	PN16	PN40
DN100 carbon steel flange	26	27	28
DN150 carbon st. flange ( <b>+16EUR</b> )	39	29	30
DN100 stainless st flange( <b>+48EUR</b> )	56	57	58
DN150 stainless st flange( <b>+89EUR</b> )	69	59	60

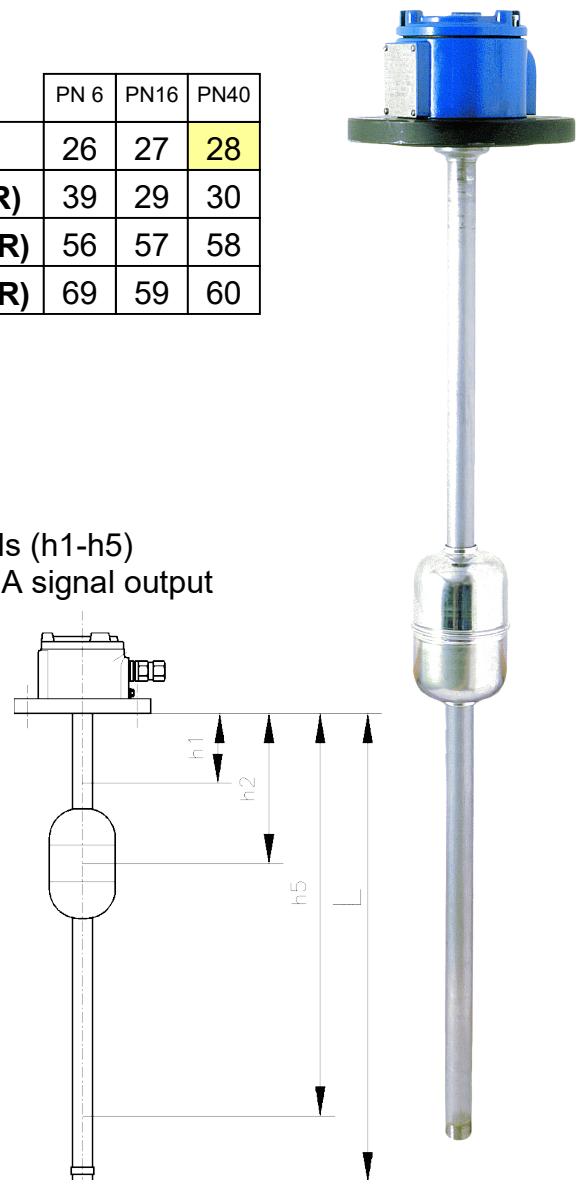
Non Ex	5
Ex d ATEX ( <b>+100EUR</b> )	2

## Fields of use:

Liquid detecting at 1 / 2 / 3 / 4 / 5 predefined levels (h1-h5)  
 Transmitter with 5 / 10 / 25 mm accuracy, 4-20 mA signal output  
 Operating pressure: max. 16 bar  
 Ambient temperature: -50° - +125°C  
 Length of probe tube (L): 500 – 6000 mm  
 Liquid: min. 600 kg/m<sup>3</sup>  
 ATEX II 1/2G Ex db IIB T5 Ga/Gb (-50° - +90°C)

Robust, outdoor (IP67) design, all wetted parts made of WNr. 1.4301 stainless steel.  
 Recommended into explosion hazardous Zone 1 areas!

Unique, customized designs available!  
 (protective tube, chamber, unique flanges)



Web: [www.omuv.hu](http://www.omuv.hu)

Email: [info@omuv.hu](mailto:info@omuv.hu)

Phone: **+36-23-511-752**

2045 Törökbálint, Munkácsy M. u. 48.  
 HUNGARY

Ver. 2018.02.01

# OMUV 05-3 chemical (PP) sensor

Basic price: **549 EUR**

053 | 5 — 84 — 43 — 01 — 1000

Basic price including:  
 Non-Ex chemical (PP) design  
 DN80 PN16 polypropylene flange  
 Ø75\*145mm polypropylene floater  
 1pc sensor inside  
 1m probe tube length

Length, over 1 meter (**50 EUR/m**) \* mm

\* For every additional meter

Additional sensors mono/bistable reed ( <b>15EUR/pc</b> )	quantity
4-20mA output 5mm ( <b>+90EUR + 325EUR/m</b> )	60E
4-20mA output 10mm ( <b>+90EUR + 175EUR/m</b> )	61E
4-20mA output 25mm ( <b>+90EUR + 110EUR/m</b> )	62E

\*\* Mono and bistable sensors mixing possible  
 Bistable reeds can be NO (default) or NC, and the types can be mixed

Floater Ø75\*145mm 43

	PN 6	PN16	PN40
DN80 polypropylene (PP) flange	83	84	85
DN100 polypropylene flange ( <b>+16EUR</b> )	86	87	88

Non-Ex, chemical (PP)	5
Ex d ATEX ( <b>+100EUR</b> )	2



## Fields of use:

- For liquids where stainless steel not applicable (for example HCl)
- Liquid detecting at 1 / 2 / 3 / 4 / 5 predefined levels (h1-h5)
- Transmitter with 5 / 10 / 25 mm accuracy, 4-20 mA signal output
- Operating pressure: max. 4 bar
- Ambient temperature: -20° - +70°C
- Length of probe tube (L): 500 – 4000 mm
- Liquid: min. 700 kg/m<sup>3</sup>
- ATEX II 1/2G Ex db IIB T5 Ga/Gb

Robust, outdoor (IP67) design, all wetted parts are made of, or covered with polypropylene (flange, floater, probe tube).  
 Recommended into explosion hazardous Zone 1 areas!

Unique, customized designs available!  
 (unique or ANSI flanges)



Web: [www.omuv.hu](http://www.omuv.hu)

Email: [info@omuv.hu](mailto:info@omuv.hu)

Phone: **+36-23-511-752**

2045 Törökbálint, Munkácsy M. u. 48.  
 HUNGARY

# OMUV 05-6 small level sensor

**Basic price: 200 EUR**

056 **6** – 92 – 37 – **01** – **1000**

Basic price including:  
 Non-Ex, small design  
 2" threaded connection  
 Ø52\*80mm floater  
 1pc sensor inside  
 1m probe tube length

Length, over 1 meter **(30EUR/m) \*** mm

\* For every additional meter

Additional sensors mono/bistable reed **(15EUR/pc)** quantity

\*\* Mono and bistable sensors mixing possible  
 Bistable reeds can be NO (default) or NC, and the types can be mixed

Floater Ø52\*80mm 37

2" threaded joint 92

Non-Ex design **6**

Ex d ATEX (+120EUR) **2**



## Fields of use:

For smaller tanks, 200-2000 mm probe length  
 Liquid detecting at 1 / 2 / 3 / 4 / 5 predefined levels (h1-h5)  
 Operating pressure: max. 16 bar  
 Ambient temperature: -50° - +125°C  
 Length of probe tube (L): 200 – 2000 mm  
 Liquid: min. 600 kg/m<sup>3</sup>  
 ATEX II 1/2G Ex db IIB T5 Ga/Gb (-50° - +90°C)

Indoor/outdoor (IP67) design, WNr. 1.4301 stainless steel parts.  
 Recommended into explosion hazardous Zone 1 areas!

Unique, customized designs available!  
 (unique or ANSI flanges, by-pass chamber)



Web: [www.omuv.hu](http://www.omuv.hu)

Email: [info@omuv.hu](mailto:info@omuv.hu)

Phone: +36-23-511-752

2045 Törökbálint, Munkácsy M. u. 48.  
 HUNGARY

Ver. 2018.02.01

# OMUV 08-4 floater levelswitch

Basic price: **404 EUR**

Basic price including:  
 Non-Ex, small design  
 Carbon steel DN80 flange  
 Ø75\*130mm floater  
 microswitch (-20 - +70°C)  
 300mm arm length

084 | 5 | — | 25 | — | 13 | — | 92 | — | 300

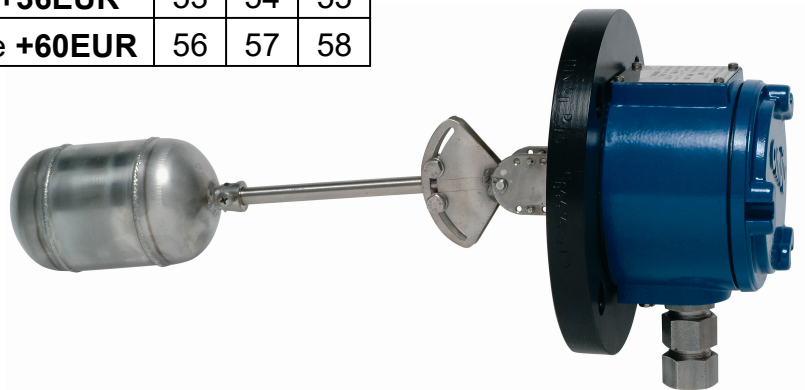
Arm length (L) | 300

Microswitch -20 - +70°C	92
Heat resistant microswitch (+15EUR) -50° - +205°C	94

Floater Ø75\*130mm | 13

	PN 6	PN16	PN40
DN80 carbon steel flange	23	24	25
DN100 carbon steel flange <b>+12EUR</b>	26	27	28
DN80 stainless st. flange <b>+36EUR</b>	53	54	55
DN100 stainless st. flange <b>+60EUR</b>	56	57	58

Non Ex | 5

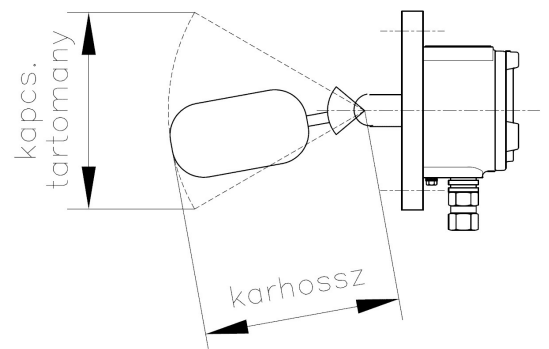


## Fields of use:

- Operating pressure: max. 16 bar
- Operating temperature: -50°-+205°
- Arm length (L): 300 mm
- Liquid: min. 700 kg/m<sup>3</sup>
- Level switching, adjustable switching level +/-30°

Robust outdoor (IP67) design, WNr. 1.4301 stainless steel elements.

Unique, customized designs available!  
 (special floater, chemical (PP, polypropylene) design,  
 threaded or other specialized or ANSI flanges)



Web: [www.omuv.hu](http://www.omuv.hu)

Email: [info@omuv.hu](mailto:info@omuv.hu)

Phone: **+36-23-511-752**

2045 Törökbálint, Munkácsy M. u. 48.  
 HUNGARY

Ver. 2018.02.01

# OMUV 08-24 flow switch

**Basic price: 369 EUR**

242 | 5 | — | 91 | — | 00 | — | 92 | — | DN...

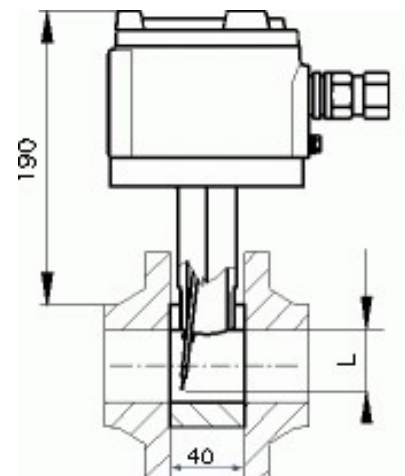
Basic price including:  
Non-Ex  
1" threaded joint  
microswitch (-20° - +70°C)

Nominal pipe diameter | DN...

Microswitch -20° - +70°C	92
Heat resistant microswitch (+15EUR) -50° - +205°C	94

1" threaded joint (Fb)	91
DN20 (Lk) between flanges (+47EUR)	01
DN25 (Lk) between flanges (+50EUR)	02
DN40 (Lk) between flanges (+62EUR)	04
DN50 (Lk) between flanges (+65EUR)	05
DN80 (Lk) between flanges (+100EUR)	07
DN100(Lk) between flanges(+120EUR)	08

Non-Ex | 5



## Fields of use:

Outdoor monitoring the flow status and to protect pumps  
 Operating pressure: max. 16 bar  
 Ambient: -50° - +205°C  
 Nominal pipe diameter (DN): DN20 - 150  
 Switching flow rate: 0.9 - 22 m<sup>3</sup>/h (depends on DN)

Robust outdoor (IP67) design, all wetted parts made of WNr. 1.4301 stainless steel



Web: [www.omuv.hu](http://www.omuv.hu)

Email: [info@omuv.hu](mailto:info@omuv.hu)

Phone: +36-23-511-752

2045 Törökbálint, Munkácsy M. u. 48.  
HUNGARY

Ver. 2018.02.01

# OMUV 22 flow switch

**Basic price: 215 EUR**

222 6 – 91 – 00 – 92 – DN...

Basic price including:  
1" threaded joint  
microswitch (-20° - +70°C)

Nominal pipe diameter DN...

Microswitch -20° - +70°C	92
Heat resistant microswitch (+15EUR) -50° - +205°C	94

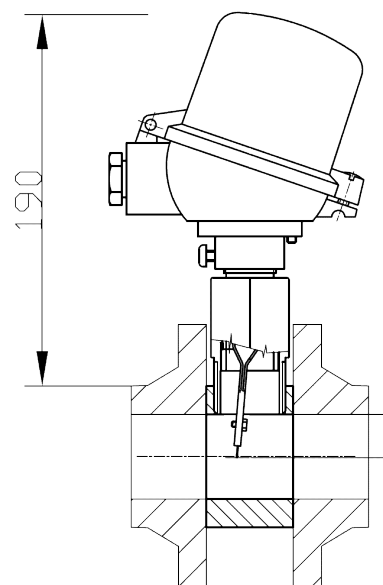
1" threaded joint (Fb)	91
DN20 (Lk) between flanges (+47EUR)	01
DN25 (Lk) between flanges (+50EUR)	02
DN40 (Lk) between flanges (+62EUR)	04
DN50 (Lk) between flanges (+65EUR)	05
DN80 (Lk) between flanges (+100EUR)	07
DN100(Lk) between flanges(+120EUR)	08



## Fields of use:

- Monitoring the flow status and to protect pumps
- Operating pressure: max. 16 bar
- Ambient temperature: -50° - +205°C
- Nominal diameter (DN): DN20 - 150
- Switching flow rate: 0.9 - 22 m<sup>3</sup>/h (depends on DN)

Robust outdoor (IP67) design, all wetted parts made of WNr. 1.4301 stainless steel



Web: [www.omuv.hu](http://www.omuv.hu)

Email: [info@omuv.hu](mailto:info@omuv.hu)

Phone: +36-23-511-752

2045 Törökbálint, Munkácsy M. u. 48.  
HUNGARY

Ver. 2018.02.01

# OMUV 09-6 level gauge

**Basic price: 879 EUR**

096 0 – 41 – 20 – 00 – 1000

Basic price including:  
DN15 flanged connection  
up to 1000 mm flange distance  
16 bar operating pressure

Length over 1m **(+490EUR/m)** mm

\* For every additional meter

Floater 16 bar	20
Floater 25 bar <b>(+100EUR)</b>	21

	PN 6	PN40
DN15 flange		41
DN20 flange <b>(+2EUR)</b>	42	43
DN25 flange <b>(+16EUR)</b>	44	45

## Fields of use:

Level indicating of tanks

Operating pressure: 16 bar (high pressure version 25 bar)

Ambient temperature: -50° - +150°C (heat resistant: -50° - +250°C)

Distance between flanges: 200 – 4000mm

Indicating: with 10mm flags

Outdoor/indoor use (IP67), all wetted parts made of WNr.1.4301 stainless steel



Web: [www.omuv.hu](http://www.omuv.hu)

Email: [info@omuv.hu](mailto:info@omuv.hu)

Phone: **+36-23-511-752**

2045 Törökbálint, Munkácsy M. u. 48.  
HUNGARY

Ver. 2018.02.01